

McCULLOCH®

PARTNER

ILLUSTRATED PARTS LIST

CABRIO 300 - 310

CABRIO 380 - 390

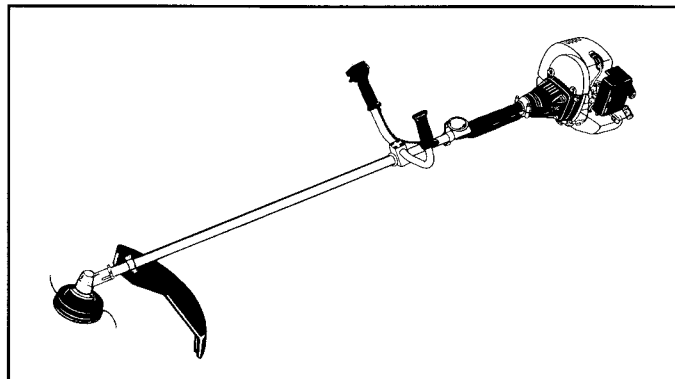
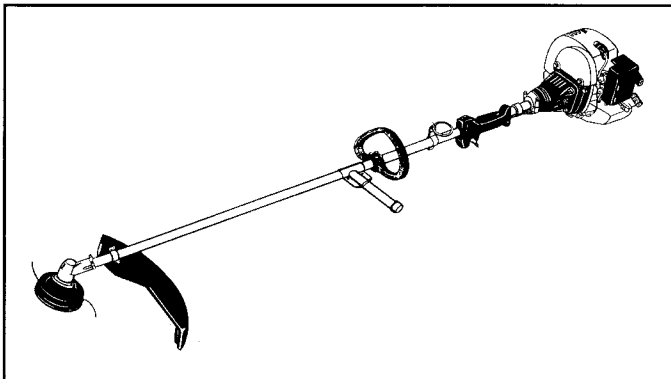
EUROMAC D300 - D310

EUROMAC D380 - D390

PARTNER B300 - B310 - B380

SERIAL NUMBER PREFIX 01

CE



March 2000

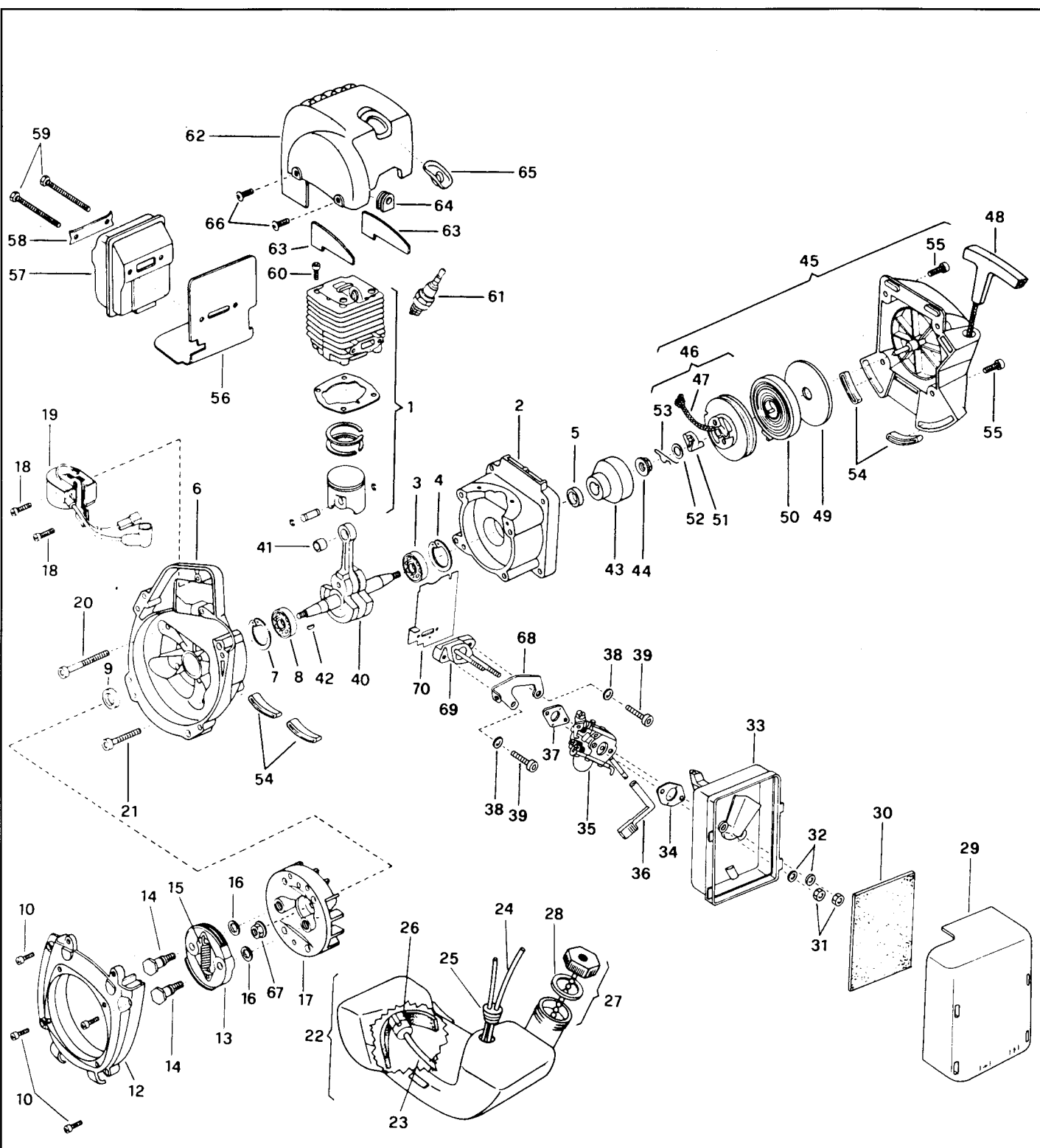


FIGURE 1

C 1	FIGURE 3	21	235804 M5x30	2	38	235248	2	C56	241280	1
2	247936	C22	241541	1	39	235803 M5x25	2	C57	241432	1
3	● 235900	B23	● 229809	1	40	241266	1	58	● 227236	1
4	● 235899	B24	● 229743	1	C41	● 235742	1	59	● 227274 M5x60	2
C 5	● 228872	C25	● 235675	1	C42	227631	1	60	227565 M5x25	4
6	247935	A26	240452	1	43	241223	1	A61	92879	1
7	● 235899	B27	236563	1	44	235218	1	62	241524 yellow/gallo/jaune/gelb	1
8	● 235900	A28	● 236564	1	C45	241283 black/nero/blei/schwarz	1		241525 grey/grigio/gris/grau	1
C 9	● 228872	29	241521 yellow/gallo/jaune/gelb	1	C	241834 gold/oro/or/gold	1		241829 gold/oro/or/gold	1
10	235806 M5x20		241688 grey/grigio/gris/grau	1	B46	● 227194	1	63	241416	2
12	241279		241830 gold/oro/or/gold	1	A47	● 227703	1	64	236322	1
B13	247937	B30	241523	1	48	● 240884	1	65	241241	1
14	● 241269	31	235642	2	49	● 227467	1	66	240688 M5x14	2
C15	● 241270	32	235248	2	B50	● 227300	1	67	235218	1
16	● 236956	33	237452	1	B51	● 240492	1	68	241522	1
17	241240	A34	227417	1	52	● 227470	1	C69	241434	1
18	235806 M5x20	C35	FIGURE 5		B53	● 240485	1	C70	241428	1
C19	241298	36	227255	1	54	241248	4			
20	235808 M5x50	A37	227692	1	55	236527 M6x16	4			

A = high moving - alta rotazione - haute demande - große Nachfrage B = medium moving - media rotazione - moyenne demande - mittelmäßige Nachfrage C = slow moving - bassa rotazione - basse demande - wenige Nachfrage

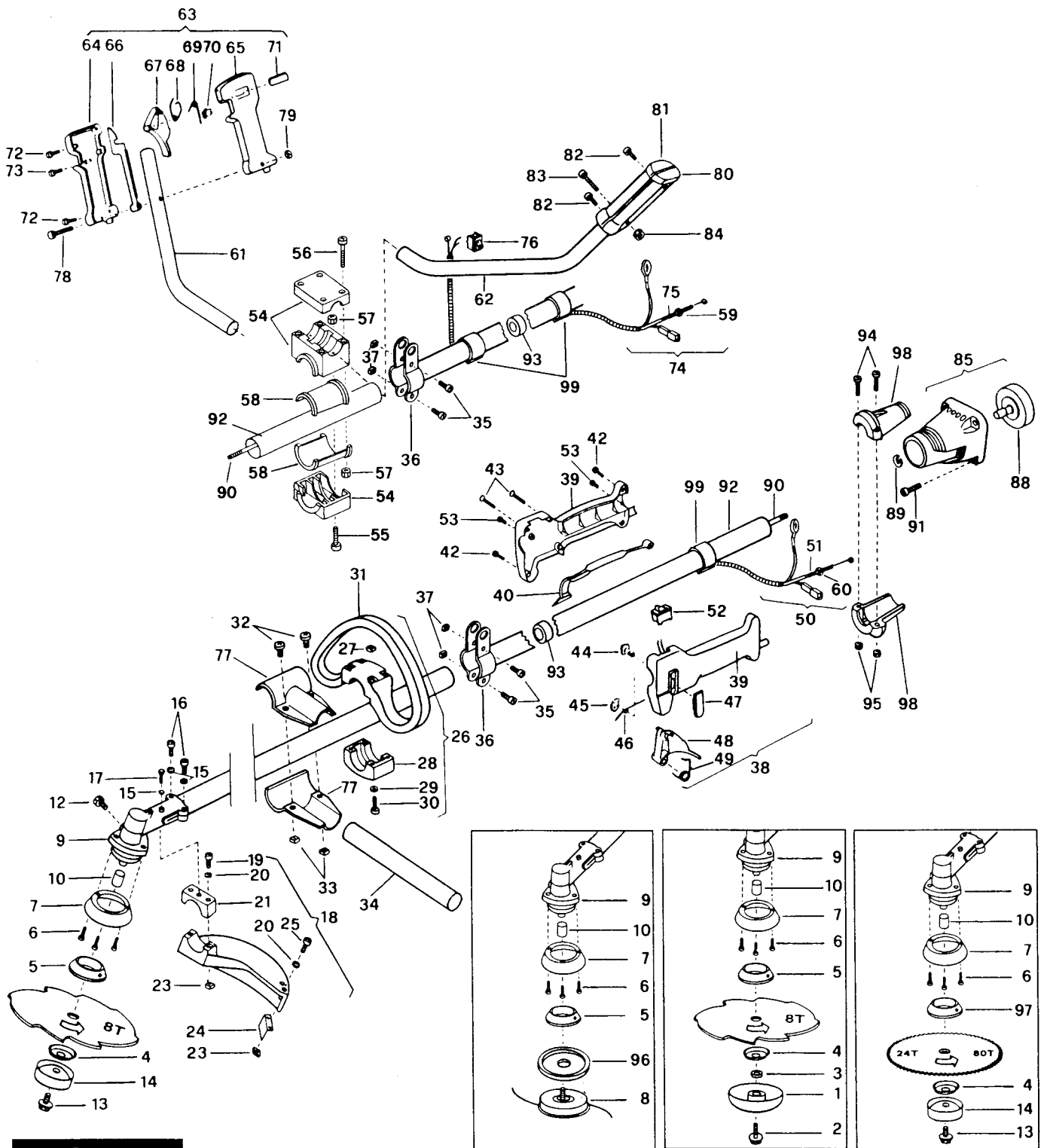
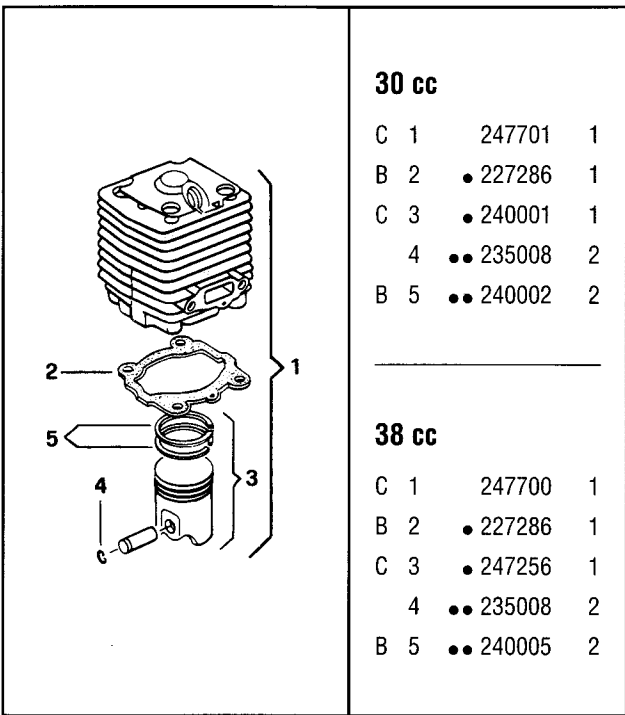


FIGURE 2

A 1	240809	1	21	● 240931	1	42	● 240618	2	61	229831	1	80	229984	1
A 2	● 240806	1	23	● 236732	4	43	● 240833	4	62	229832	1	81	229985	1
A 3	● 240807	1	24	● 224497-01	1	44	● 229823	1	63	241542	1	82	240833	2
A 4	229834	1	25	● 235802	M5x14 2	45	● 227065	1	64	● 241293	1	83	235212	M5x35 1
A 5	229833	1	26	227068	1	46	● 229973	1	65	● 241294	1	84	235216	M5x35 1
A 6	240688	M5x14 3	27	● 236642	4	47	● 229824	1	66	● 229820	1	85	240905	1
B 7	240767	1	28	● 227046	1	48	● 241296	1	67	● 241295	1	C 88	● 227284	1
A 8	FIGURE 4		29	● 236936	4	49	● 240091	1	68	● 240091	1	C 89	● 236378	1
9	241426	1	30	● 228320	M6x45 4	C 50	● 241526	1	69	● 229973	1	90	228109	1
10	● 247272	1	31	● 227045	1	C 51	● 241527	1	70	● 229823	1	91	236527	M6x16 4
12	● 240151	M8x10 1	32	235911	M6x12 2	C 52	● 236394	1	71	● 229824	1	92	241534	1
A 13	229842	M10x16 1	33	236642	2	53	● 236981	2	72	● 240618	2	93	● 241536	4
A 14	236596	1	34	246864	1	54	241685	1	73	● 240833	3	94	235530	M5x35 2
15	236529	3	35	235911	M6x12 2	55	● 235921	M6x30 2	C 74	● 241528	1	95	229208	2
16	235804	M5x30 2	36	228152	2	56	● 236558	M6x40 4	C 75	● 241529	1	A 96	240936	1
17	236381	M5x10 1	37	236642	2	57	● 235912	M6x40 6	C 76	● 236394	1	97	240817	2
B 18	247208	1	38	241538	1	58	● 241684	2	77	228146	2	98	240871	2
19	● 235806	M5x20 2	39	● 246955	1	59	235912	1	78	235804	M5x30 1	99	229850	2
20	● 235248	4	40	● 229819	1	60	235912	1	79	235216	1			

A = high moving - alta rotazione - haute demande - große Nachfrage B = medium moving - media rotazione - moyenne demande - mittelmäßige Nachfrage C = slow moving - bassa rotazione - basse demande - wenige Nachfrage

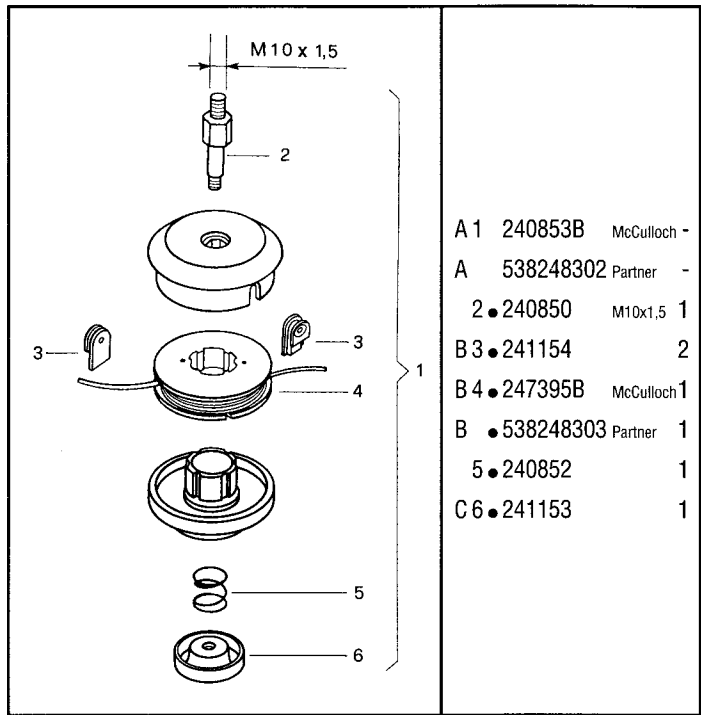


30 cc

C 1	247701	1
B 2	● 227286	1
C 3	● 240001	1
4	● ● 235008	2
B 5	● ● 240002	2

38 cc

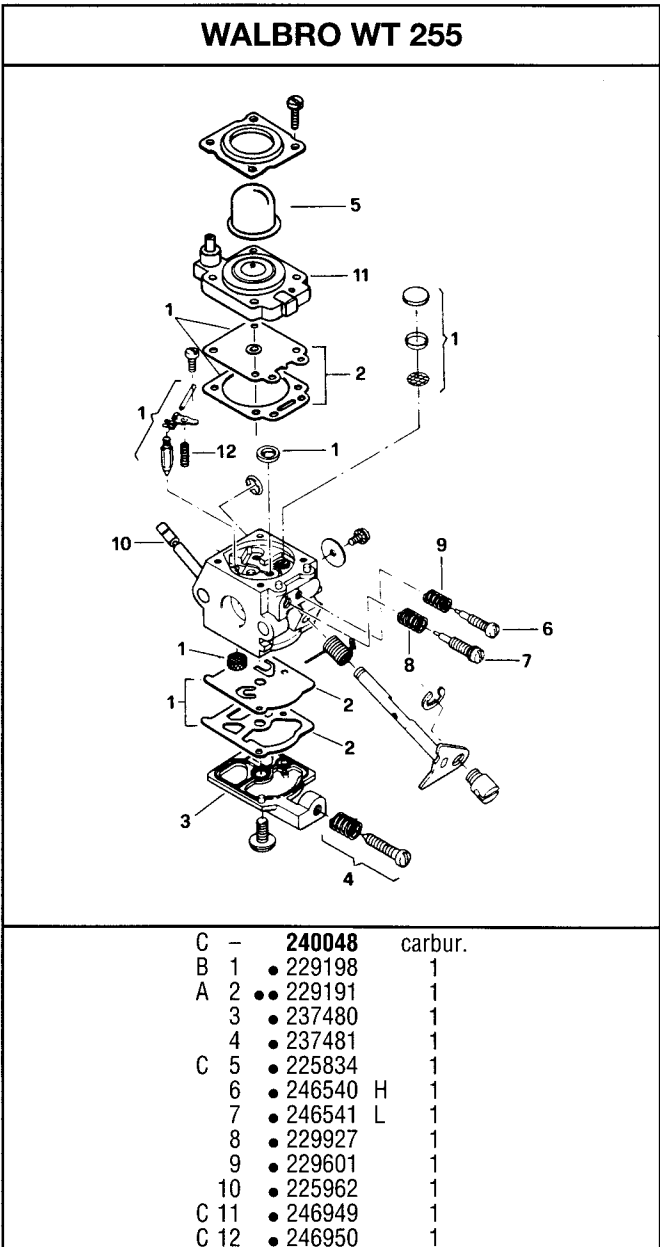
C 1	247700	1
B 2	● 227286	1
C 3	● 247256	1
4	● ● 235008	2
B 5	● ● 240005	2



A 1	240853B	McCulloch	-
A	538248302	Partner	-
2	● 240850	M10x1,5	1
B 3	● 241154		2
B 4	● 247395B	McCulloch	1
B	● 538248303	Partner	1
5	● 240852		1
C 6	● 241153		1

FIGURE 3

FIGURE 4



C -	240048	carbur.
B 1	● 229198	1
A 2	● ● 229191	1
3	● 237480	1
4	● 237481	1
C 5	● 225834	1
6	● 246540	H 1
7	● 246541	L 1
8	● 229927	1
9	● 229601	1
10	● 225962	1
C 11	● 246949	1
C 12	● 246950	1

FIGURE 5

A = high moving - alta rotazione - haute demande - große Nachfrage
 B = medium moving - media rotazione - moyenne demande - mittelmäßige Nachfrage
 C = slow moving - bassa rotazione - basse demande - wenige Nachfrage